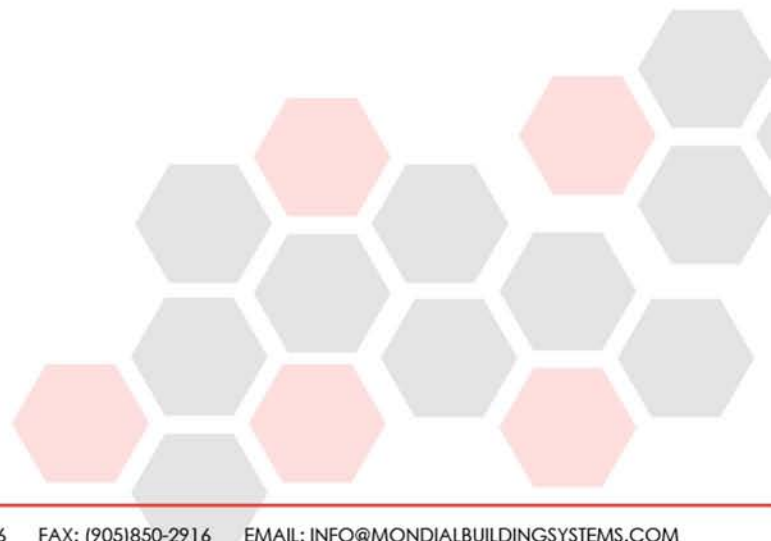


# **MODA**PORTE

ALUMINUM SLIDING DOORS





## Table of Contents

Page 2 - Aluminum Trim Profiles

Page 3 - Roller Mechanisms

Page 4 - Aluminum Single-Door Hardware Parts Breakdown

Page 5 - Complete Trimming Kits for Aluminum Single-Doors

Page 6 - Aluminum Multiple-Door Hardware Parts Breakdown

Page 7 - Complete Trimming Kits for Aluminum Multiple-Doors

Page 8 - Aluminum Single-Door Track Assembly

Page 9 - Single-Door Mounting Instructions

Page 10 - Aluminum Multiple-Door Hardware Assembly

Page 11 - Multiple-Door Mounting Instructions

Page 12 - Sliding Wall Corner Configurations

Complete Opening for Sliding Panels



Partial Opening for Sliding Panels





## Aluminum Sliding Door Trim Profiles

Oval



Square



Square with pull



PATENTED

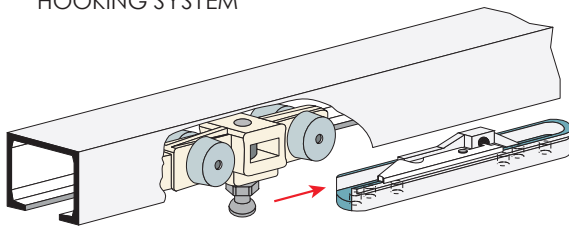


LEFT

RIGHT

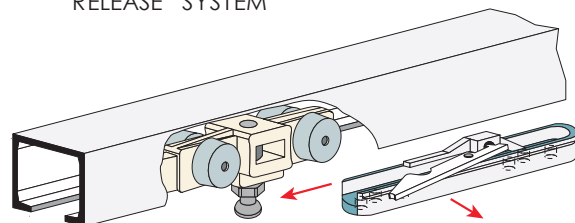
Position the brackets (right and left) as shown in the drawing

HOOKING SYSTEM



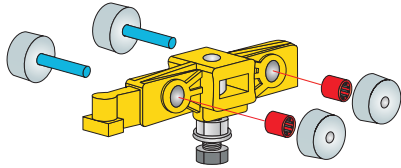
The trolley can be automatically engaged in the brackets by simply positioning and pressing the pin on the bracket lever.

RELEASE SYSTEM



To release the trolley, hand operate the spring lever

## Roller Mechanisms for Sliding Doors

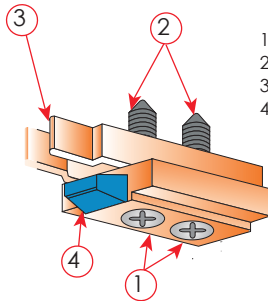


Slide with tempered and ground steel pins and roller bearings for:  
Kg. 80 - Kg. 100 - Kg. 160 - Kg. 240

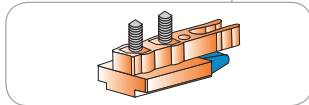


Kg.80-100-160-240

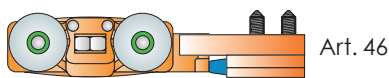
### Standard Stopper



- 1) Double Fixing Screw
- 2) Conical Nails
- 3) Pincer for Holding Skate
- 4) Rubber Bumper

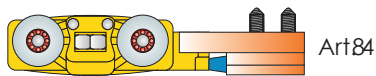


Kg. 60 Wheels Ø 25 mm.



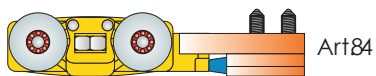
Art. 46

Kg. 80 Wheels Ø 22 mm.

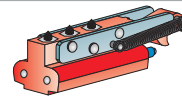


Art84

Kg. 100 Wheels Ø 25 mm.

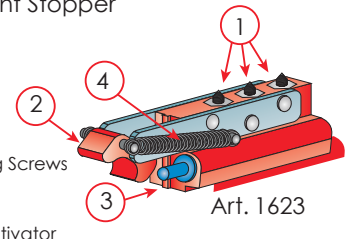


Art84



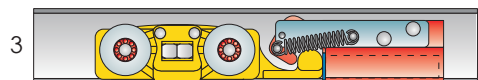
**PATENTED**

### Shock Absorbent Stopper



- 1) Conical Nail Fixing Screws
- 2) Tilting Hook
- 3) Shock Absorber
- 4) Spring Loaded Activator

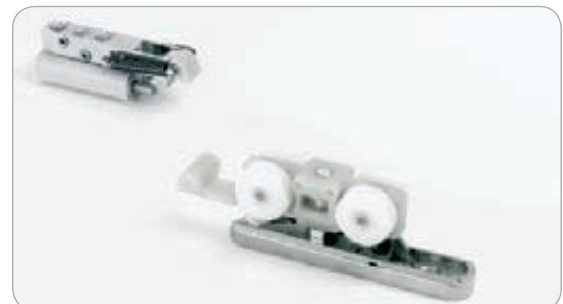
Art. 1623



Kg. 100 Wheels Ø 25 mm.



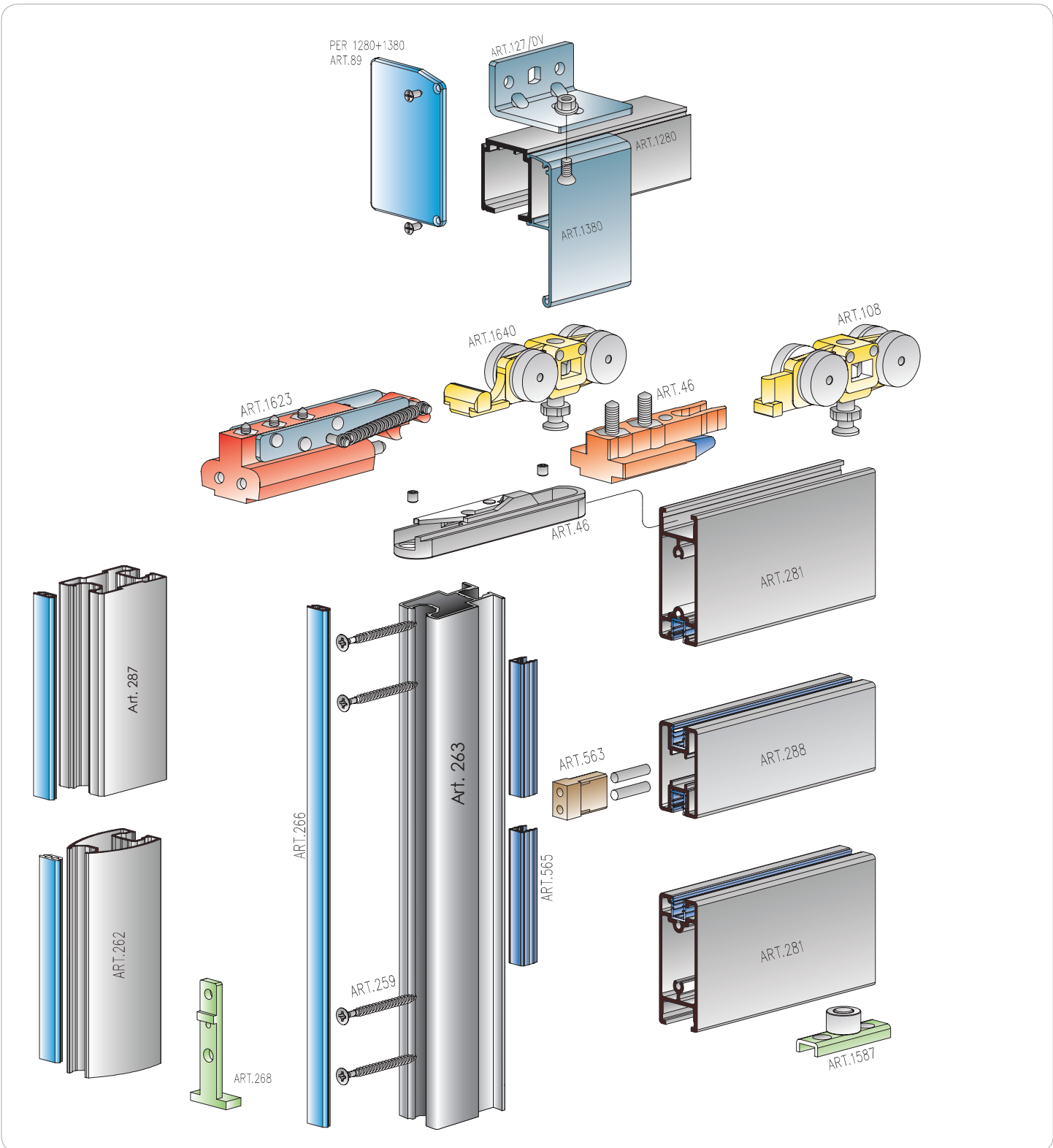
Art. 1623





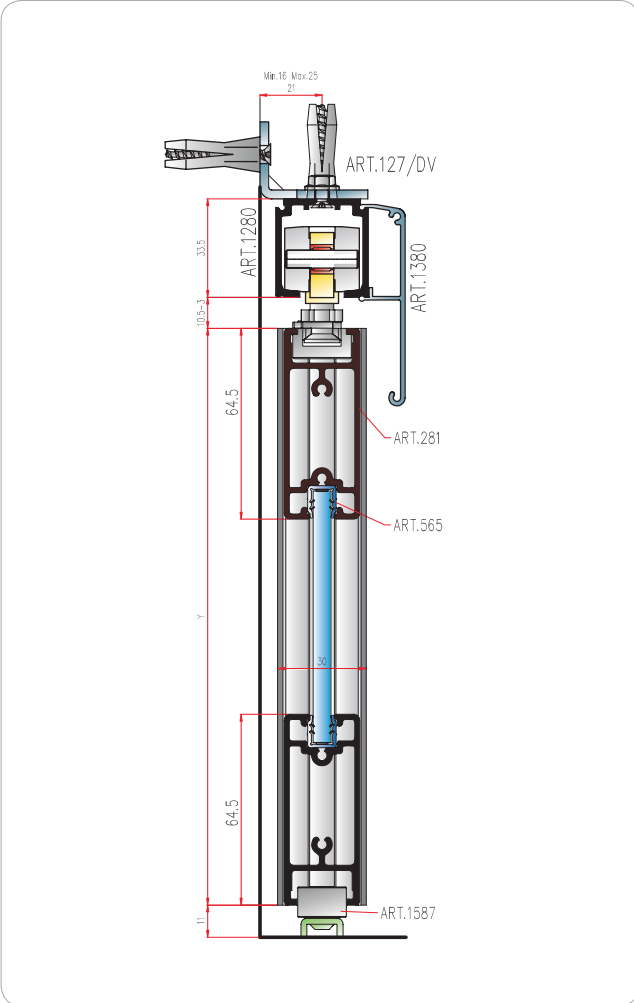
# Aluminum Single-Door Hardware Parts Breakdown

1280 Series



Complete Trimming Kits for Aluminum Single Doors

Series 1280



ART. 108/T/120 Kg. 60  
PER DOOR

ART.587    ART.1029    ART.46    ART.108

ART.259    ART.46    ART.108

ART. 1640/T/120 Kg. 60  
PER DOOR

ART.587    ART.1029    ART.1623    ART.1640

ART.259    ART.1623    ART.1640

OPTIONAL

ART.563    ART.1588    PER 1350+1300 ART.1356    ART.127/DV    ART.380

PER 1280+1380 ART.81

ART. 1280  
Aluminum Section Bar

ART. 262  
Bottom Aluminum Section Bar

ART. 266  
Gasket

ART. 263  
Aluminum Section Bar

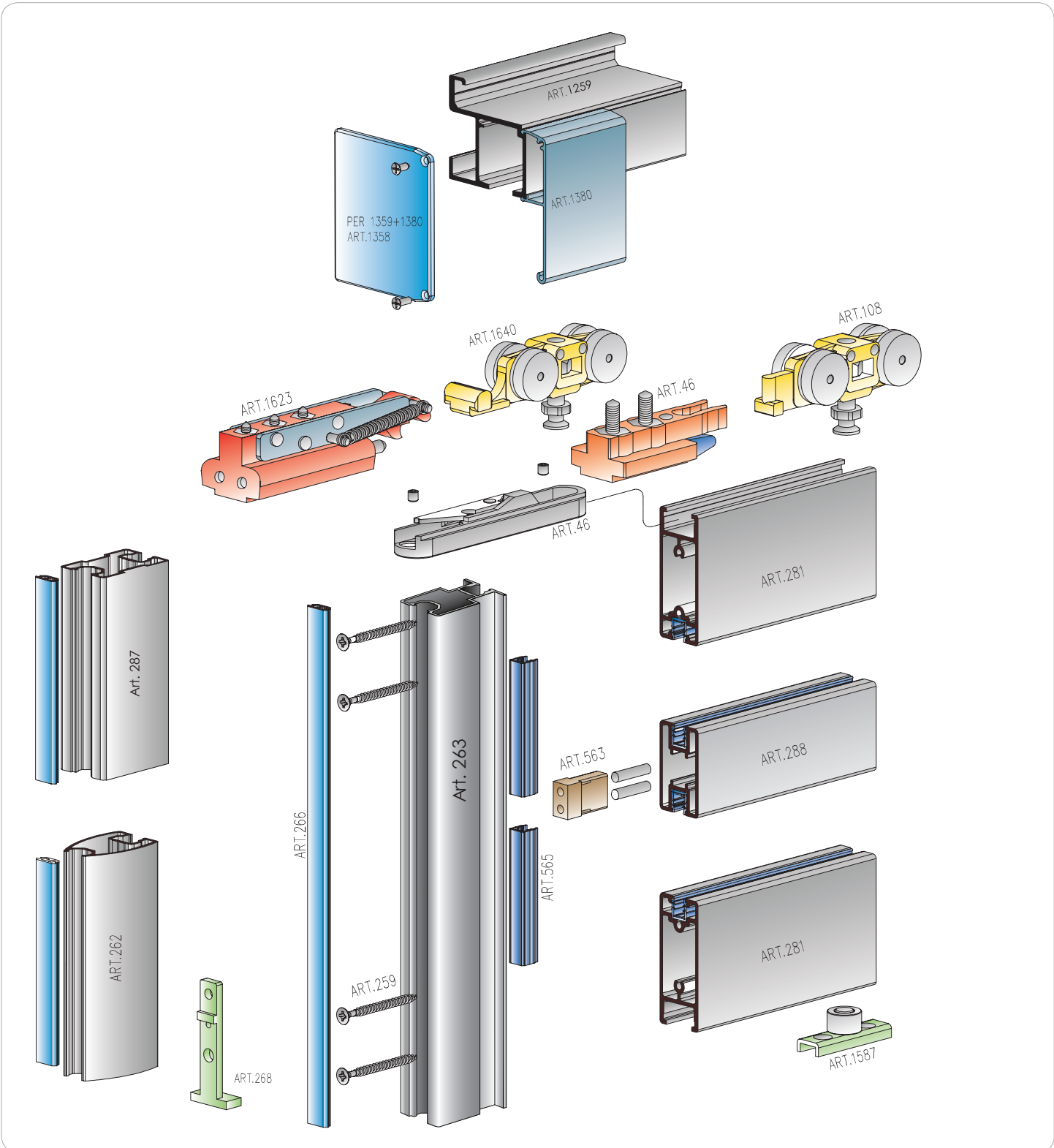
ART. 262  
Aluminum Section Bar

ART. 565  
Gasket for Glass from 6 mm to 5 mm



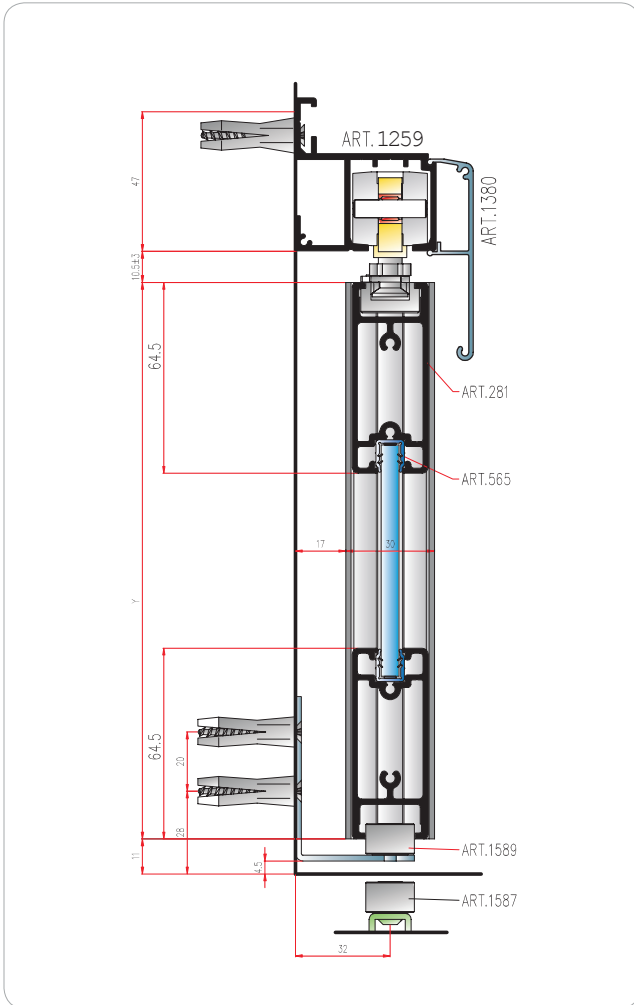
# Aluminum Single-Door Hardware Parts Breakdown

1259 Series



Complete Trimming Kits for Aluminum Single Doors

Series 1259



**ART. 180/T/120 Kg. 60**  
PER DOOR

**ART. 1640/T/120 Kg. 60**  
PER DOOR

OPTIONAL

**ART. 1259**  
Aluminum Section Bar

**ART. 262**  
Bottom Aluminum Section Bar

**ART. 266**  
Gasket

**ART. 263**  
Aluminum Section Bar

**ART. 262**  
Aluminum Section Bar

**ART. 565**  
Gasket for Glass from 6 mm to 5 mm

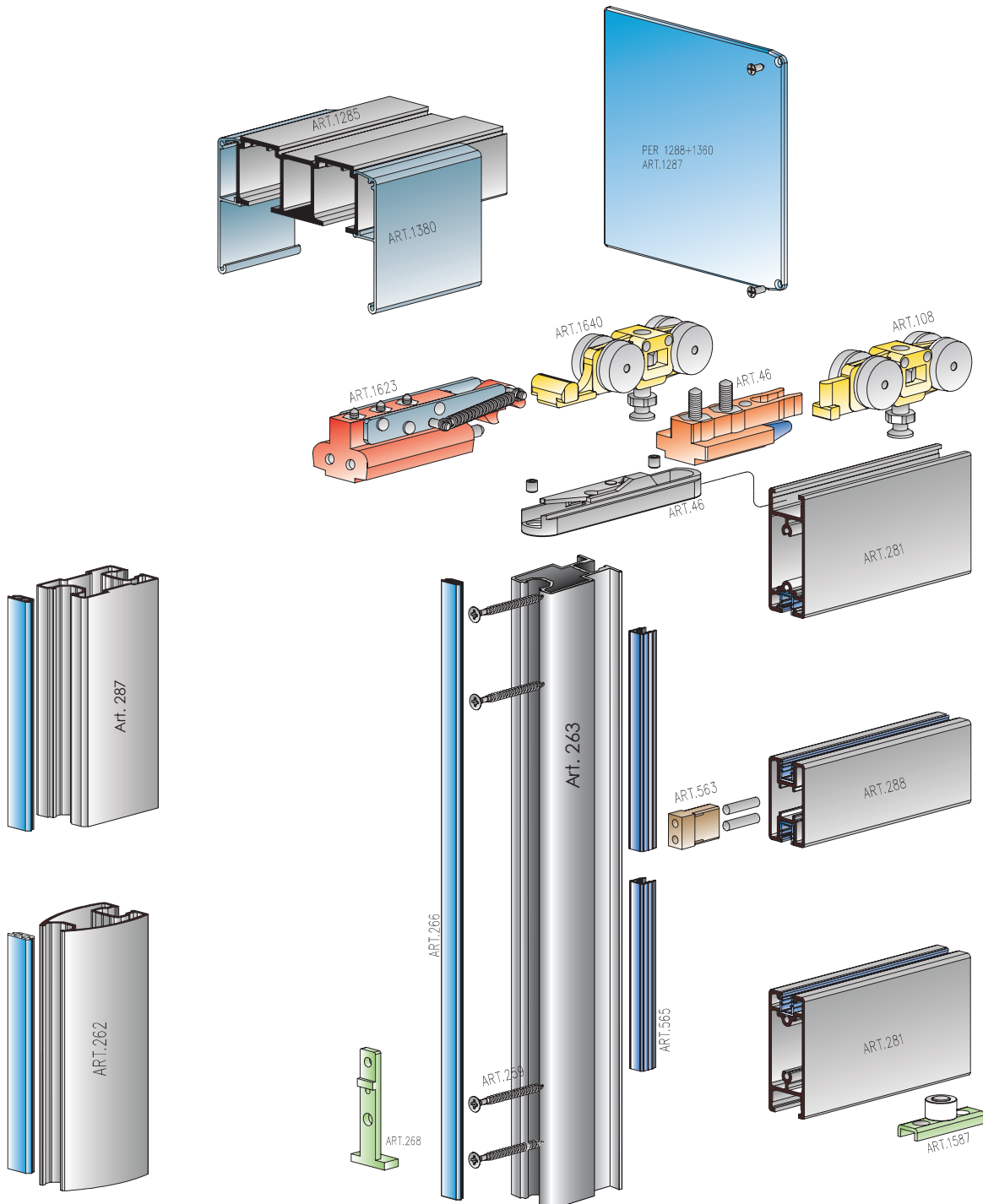




# Aluminum Multiple-Door Hardware Parts Breakdown

Series 1285

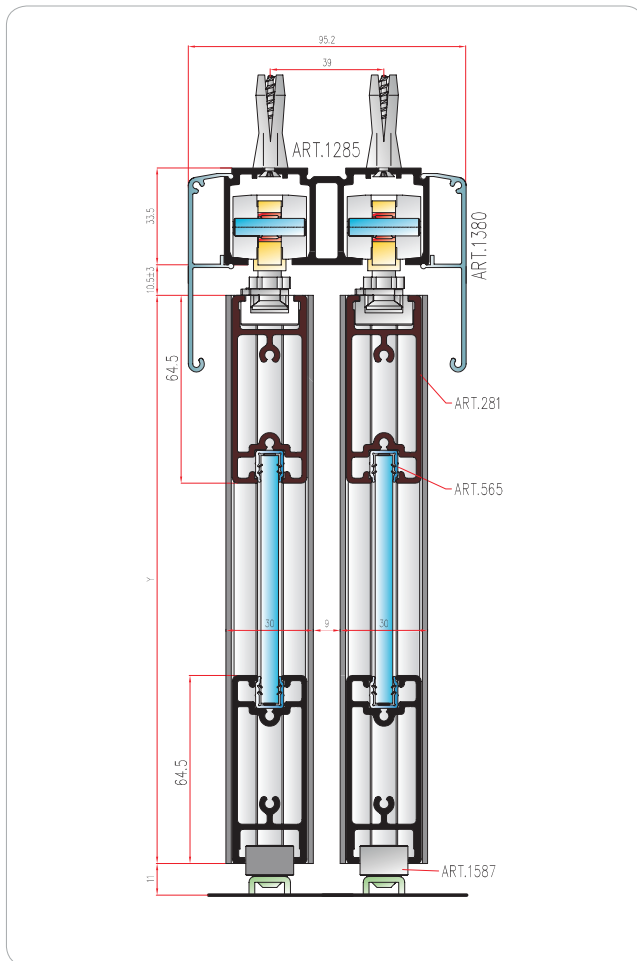
Upper support slide



# Complete Trimming Kits for Aluminum Multiple Doors

## Series 1285

### Ceiling Mounting Details



**ART. 108/T/120 Kg. 60 PER DOOR**

**ART. 1640/T/120 Kg. 60 PER DOOR**

**OPTIONAL**

**ART. 1285**  
Aluminum Section Bar

**ART. 262**  
Bottom Aluminum Section Bar

**ART. 266**  
Gasket

**ART. 263**  
Aluminum Section Bar

**ART. 262**  
Aluminum Section Bar

**ART. 565**  
Gasket for Glass from 6 mm to 5 mm

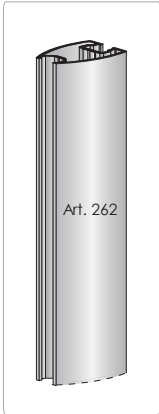


# Aluminum Single-Door Track Assembly

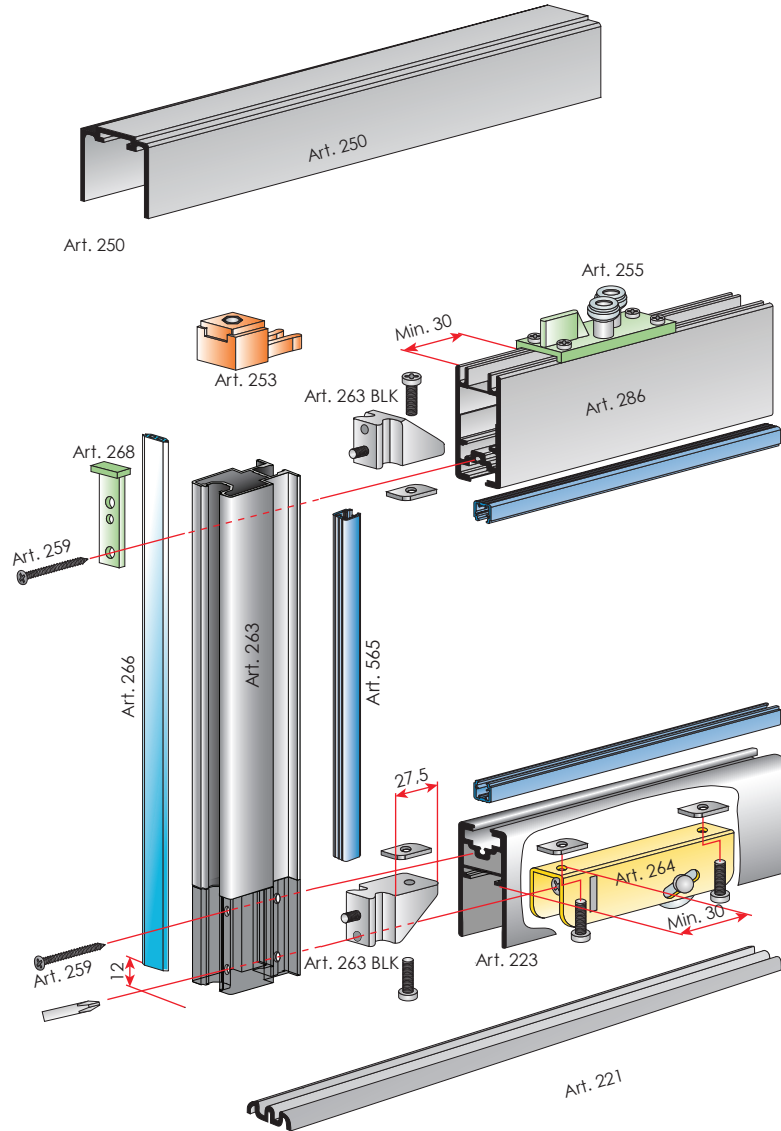
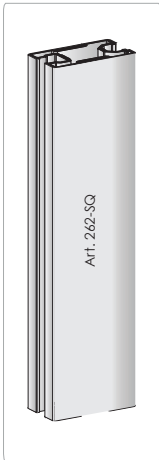
Series 250

## Lower support slide

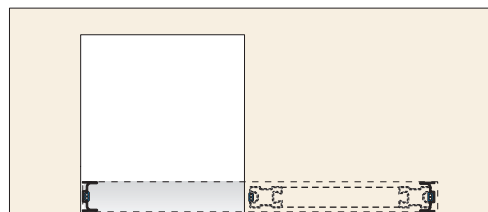
### 262-OV Trim Option



### 262-SQ Trim Option



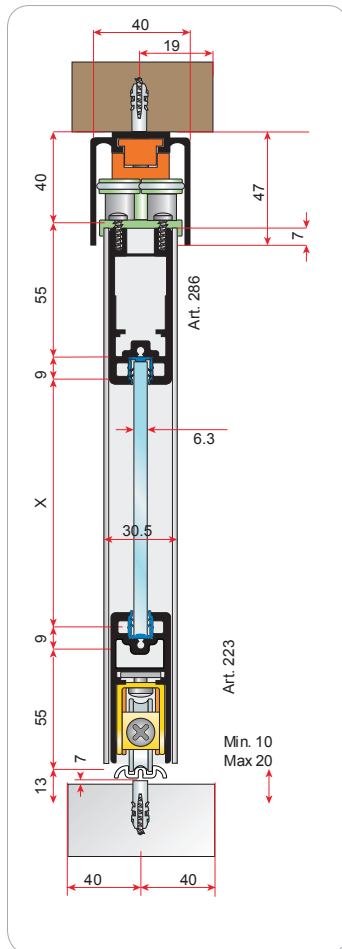
## 1-Panel Top Mounting




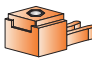

Single-Door Mounting Instructions

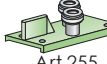

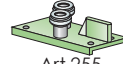
Series 250



Ceiling Mounting Details



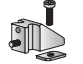
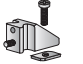




 ART. 261 - 264 PER DOOR Kg. 60

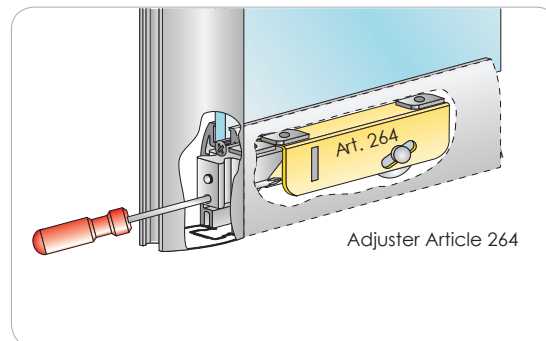
 Art.253  Art.253

 Art.255  Art.249  Art.255

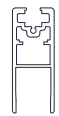
 Art.264  Art.264


 Art.263 BLK  Art.263 BLK  Art.263 BLK  Art.263 BLK  Art.268

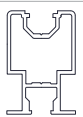
 Art.259

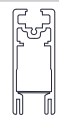



 ART. 250  
Single Upper Track


 ART. 223  
Bottom Aluminum Section Bar

 ART. 266  
Gasket

 ART. 263  
Aluminum Section Bar

 ART. 286  
Top Aluminum Section Bar

 ART. 221  
Single Bottom Track

 ART. 262  
Aluminum Section Bar

 ART. 565  
Gasket for Glass from 6 mm to 5 mm

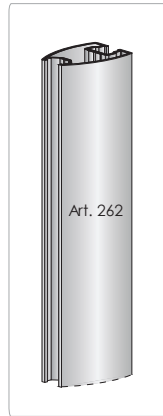


# Aluminum Single-Door Track Assembly

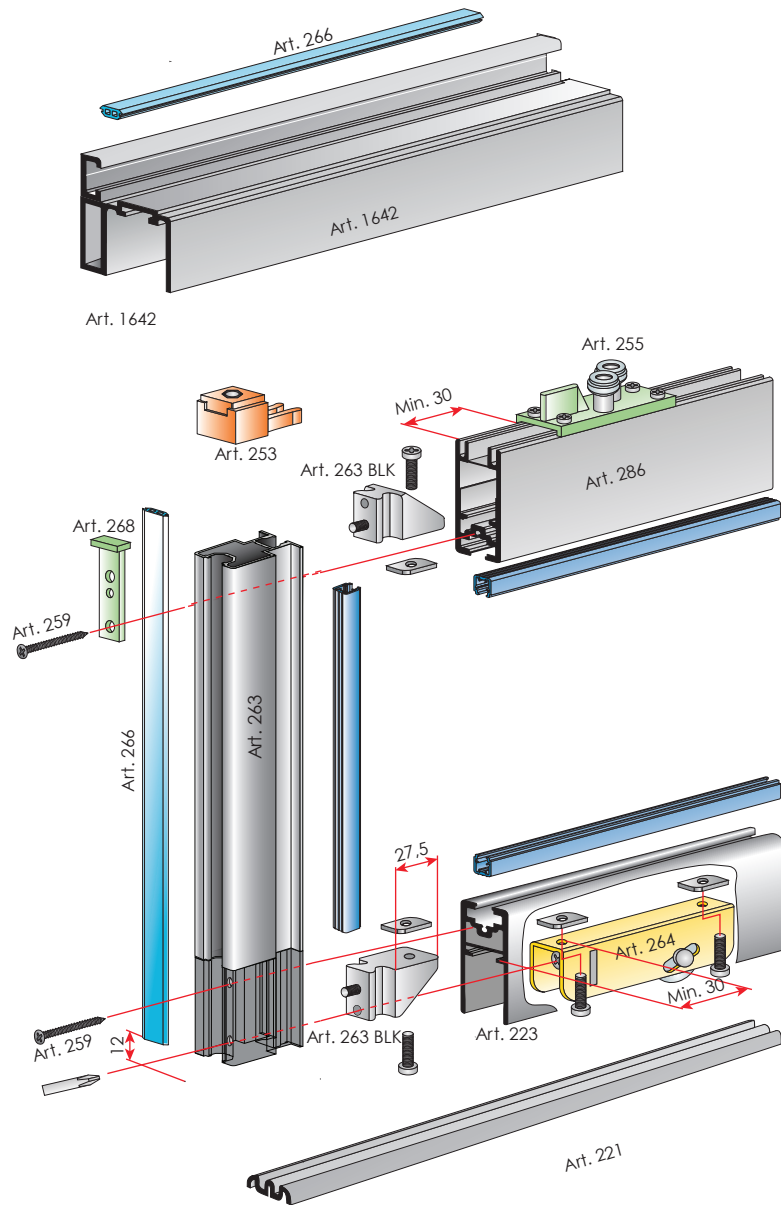
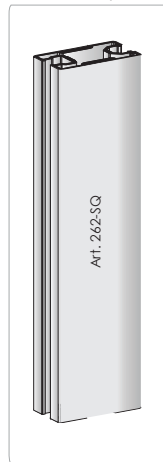
Series 1642

Lower support slide

262-OV Trim Option



262-SQ Trim Option



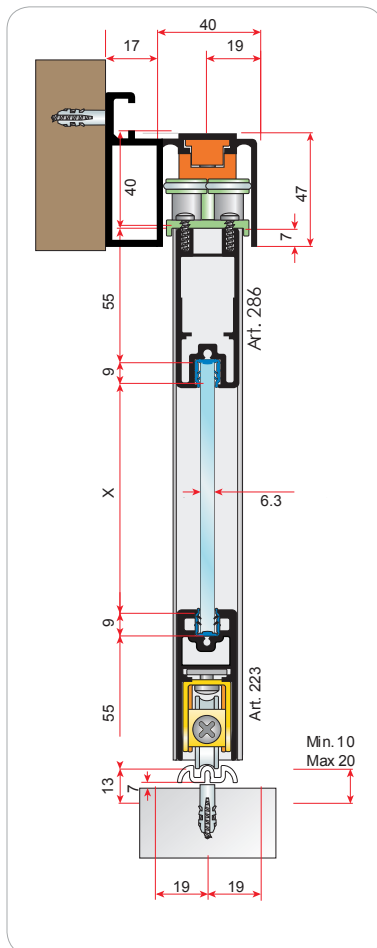
1-Panel Wall Mounting



Single-Door Mounting Instructions

Series 1642

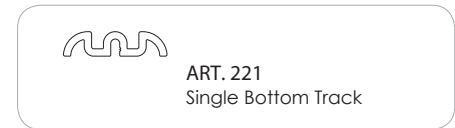
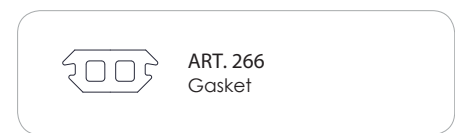
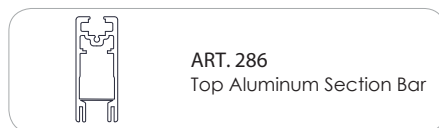
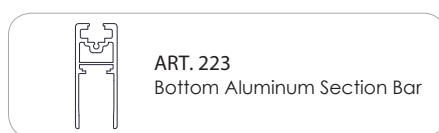
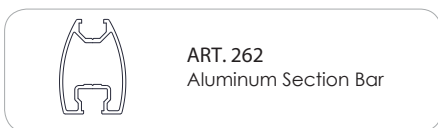
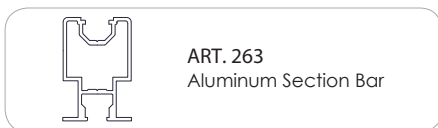
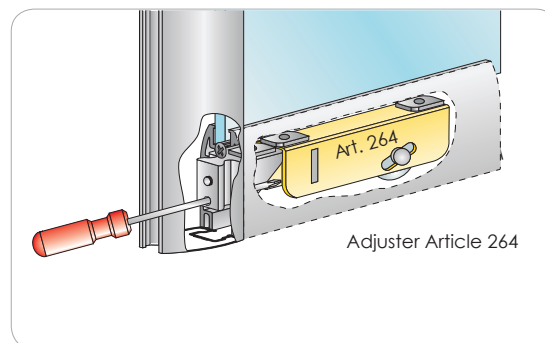
Wall Mounting Details



ART. 261 - 264 Kg. 60  
PER DOOR

Hardware components listed for the door mounting:

- Art. 253 (Orange brackets)
- Art. 255 (Green brackets)
- Art. 249 (Screws)
- Art. 264 (Yellow adjusters)
- Art. 263 BLK (Black brackets)
- Art. 259 (Screws)
- Art. 268 (Vertical adjuster)



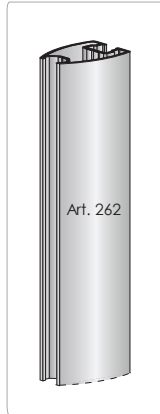


# Aluminum Multiple-Door Hardware Assembly

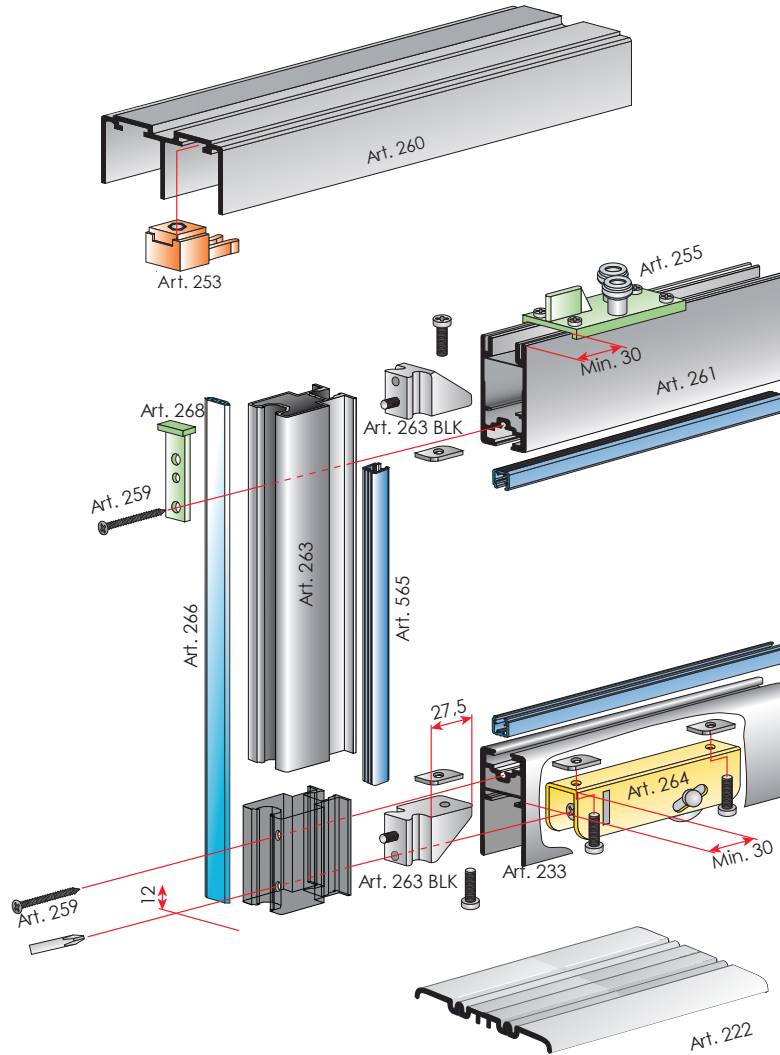
Series 260

## Lower Support Slide

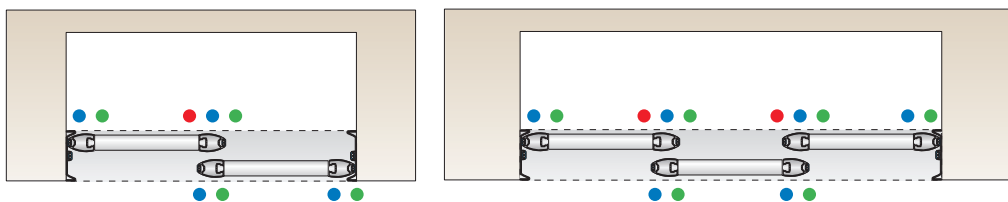
262-OV Trim Option



262-SQ Trim Option



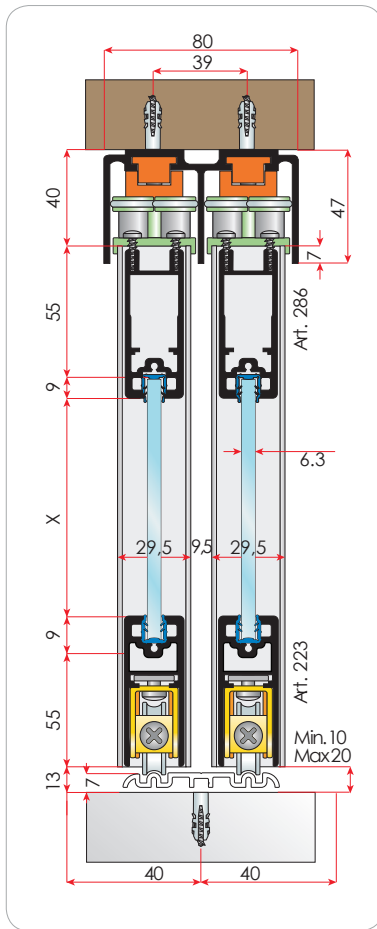
● = Art. 272    ● = Art. 262    ● = Art. 269



Multiple-Door Mounting Instructions

Series 260

Ceiling Mounting Details



ART. 261 - 264 Kg. 60  
PER DOOR

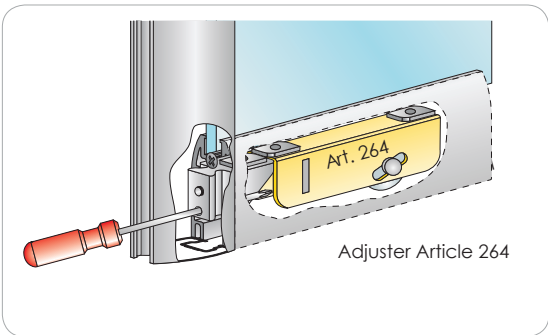
Art. 253      Art. 253

Art. 255      Art. 249      Art. 255

Art. 264      Art. 264

Art. 263 BLK    Art. 263 BLK    Art. 263 BLK    Art. 263 BLK    Art. 268

Art. 259



**ART. 260**  
Double Upper Track

**ART. 263**  
Aluminum Section Bar

**ART. 262**  
Aluminum Section Bar

**ART. 286**  
Top Aluminum Section Bar

**ART. 233**  
Bottom Aluminum Section Bar

**ART. 565**  
Gasket for Glass  
From 6mm to 5mm.

**ART. 266**  
Gasket

**ART. 222**  
Bottom Track



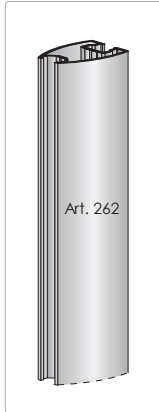


# Aluminum Multiple-Door Hardware Assembly

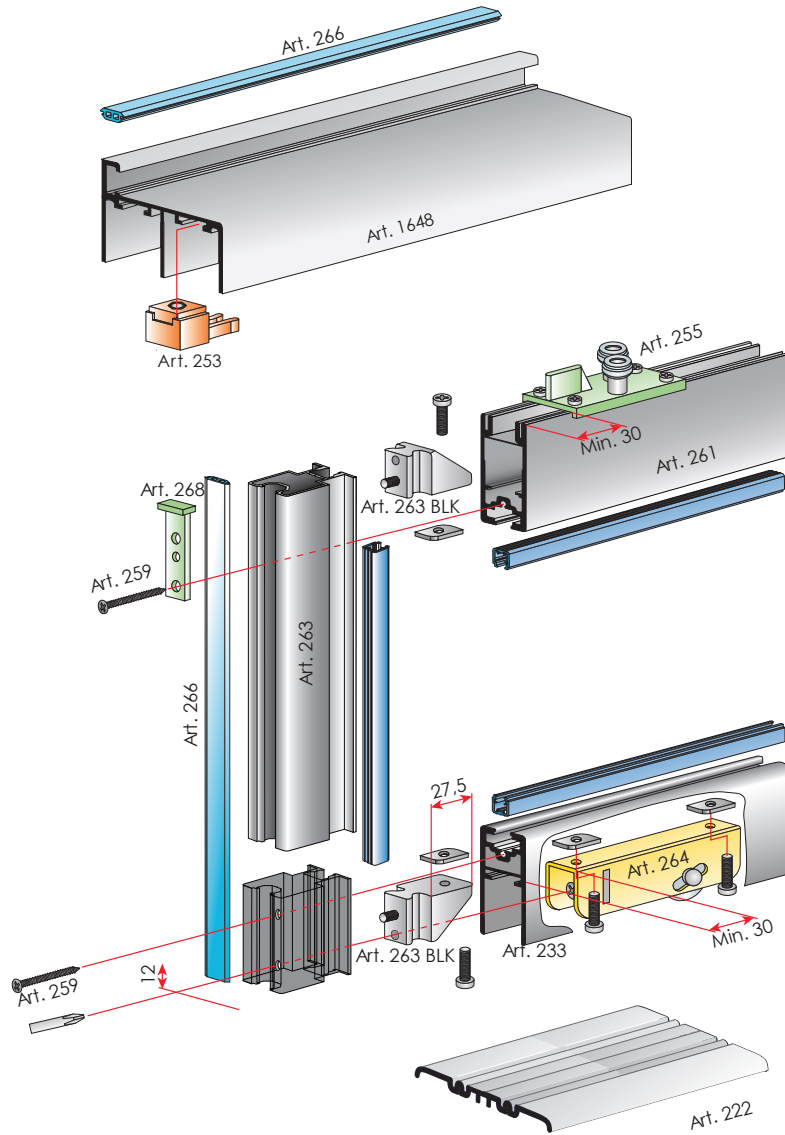
Series 1648

## Lower Support Slide

### 262-OV Trim Option



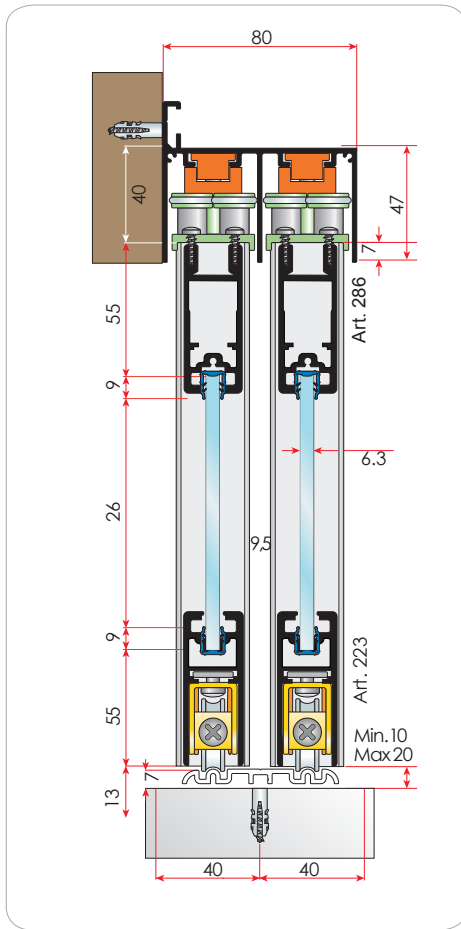
### 262-SQ Trim Option



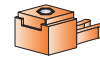
Multiple-Door Mounting Instructions

Series 1648

Wall Mounting Details



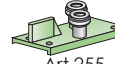
ART. 261 - 264 Kg. 60  
PER DOOR



Art. 253



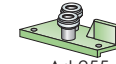
Art. 253



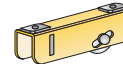
Art. 255



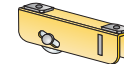
Art. 249



Art. 255



Art. 264



Art. 264



Art. 263



Art. 263



Art. 263



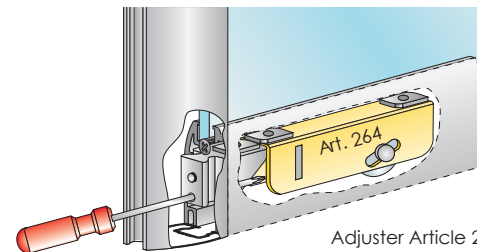
Art. 263



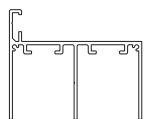
Art. 268



Art. 259



Adjuster Article 264



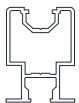
**ART. 1648**  
Double Upper Track  
with Wall Mount Bracket



**ART. 286**  
Top Aluminum Section Bar



**ART. 266**  
Gasket



**ART. 263**  
Aluminum Section Bar



**ART. 233**  
Bottom Aluminum  
Section Bar



**ART. 222**  
Bottom Track



**ART. 262**  
Aluminum Section Bar



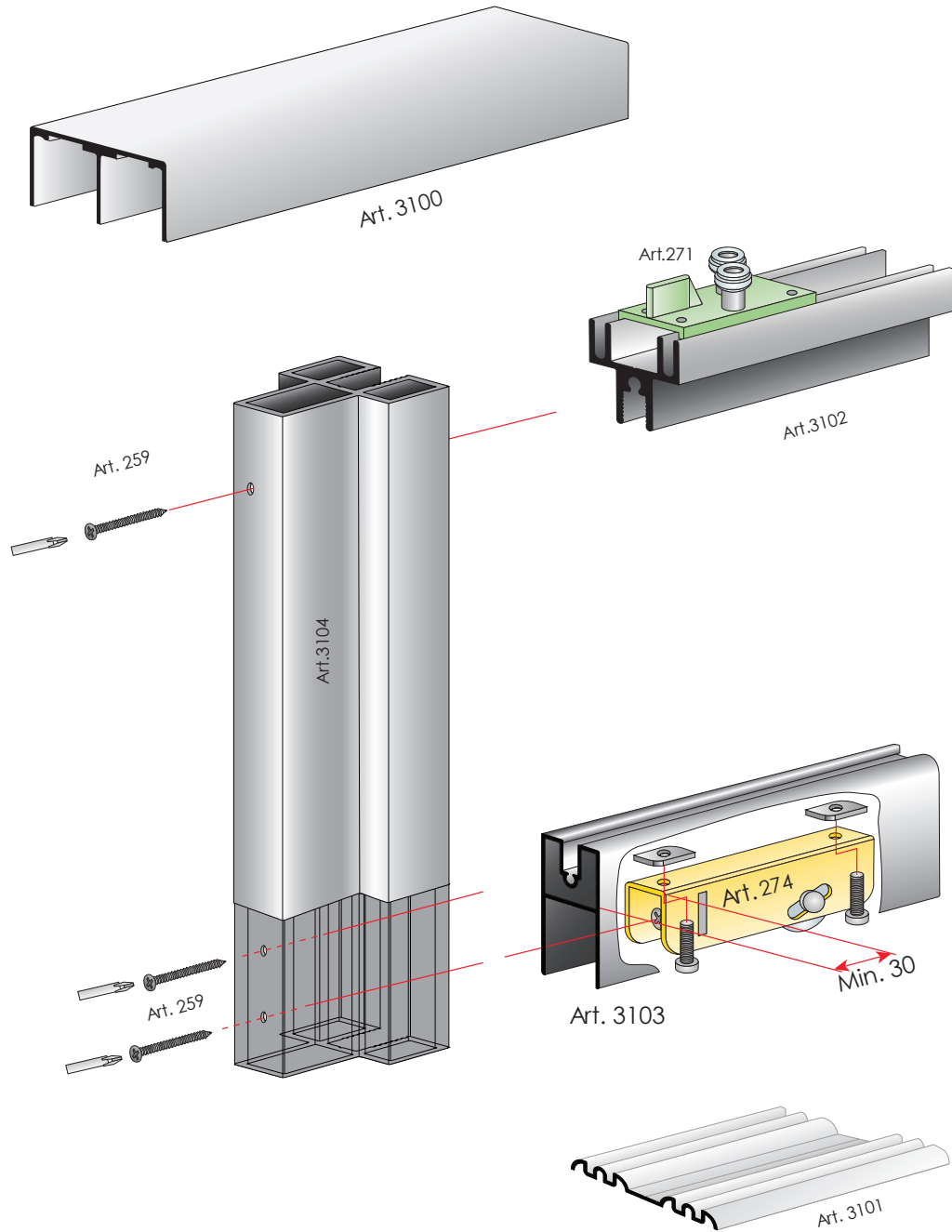
**ART. 565**  
Gasket for Glass  
From 6mm to 5mm.



# Aluminum Multiple-Door Hardware Assembly

Series 3100

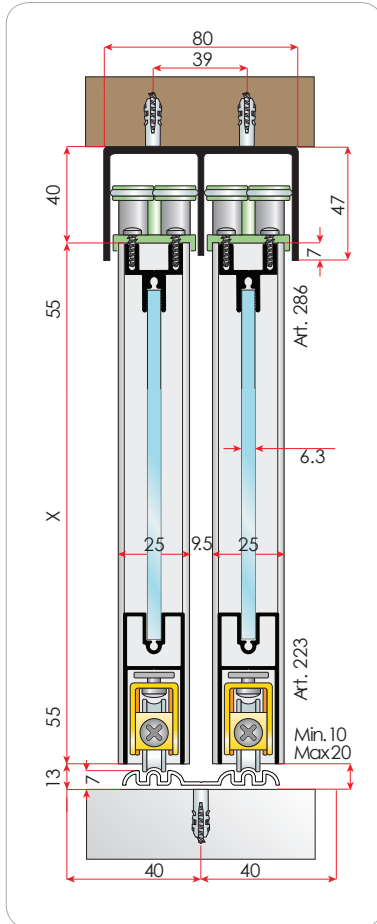
Lower Support Slide



Multiple-Door Mounting Instructions

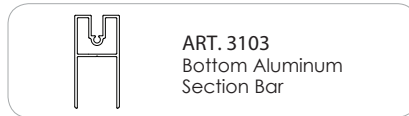
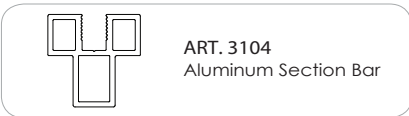
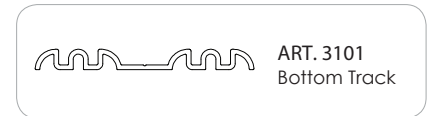
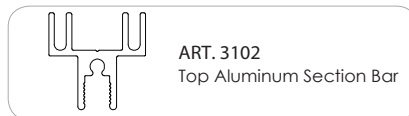
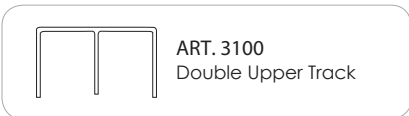
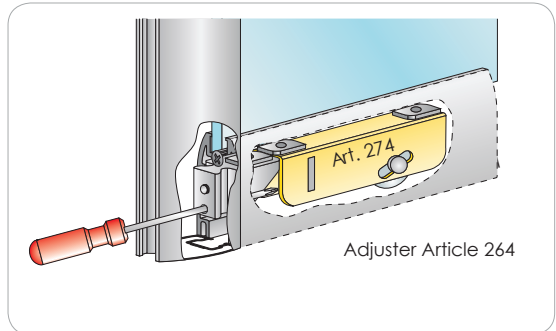
Series 3100

Ceiling Mounting Details



**ART. 255 - 274** Kg. 60  
 PER DOOR

Art.271      Art.249      Art.271  
 Art.274      Art.274  
 Art.259

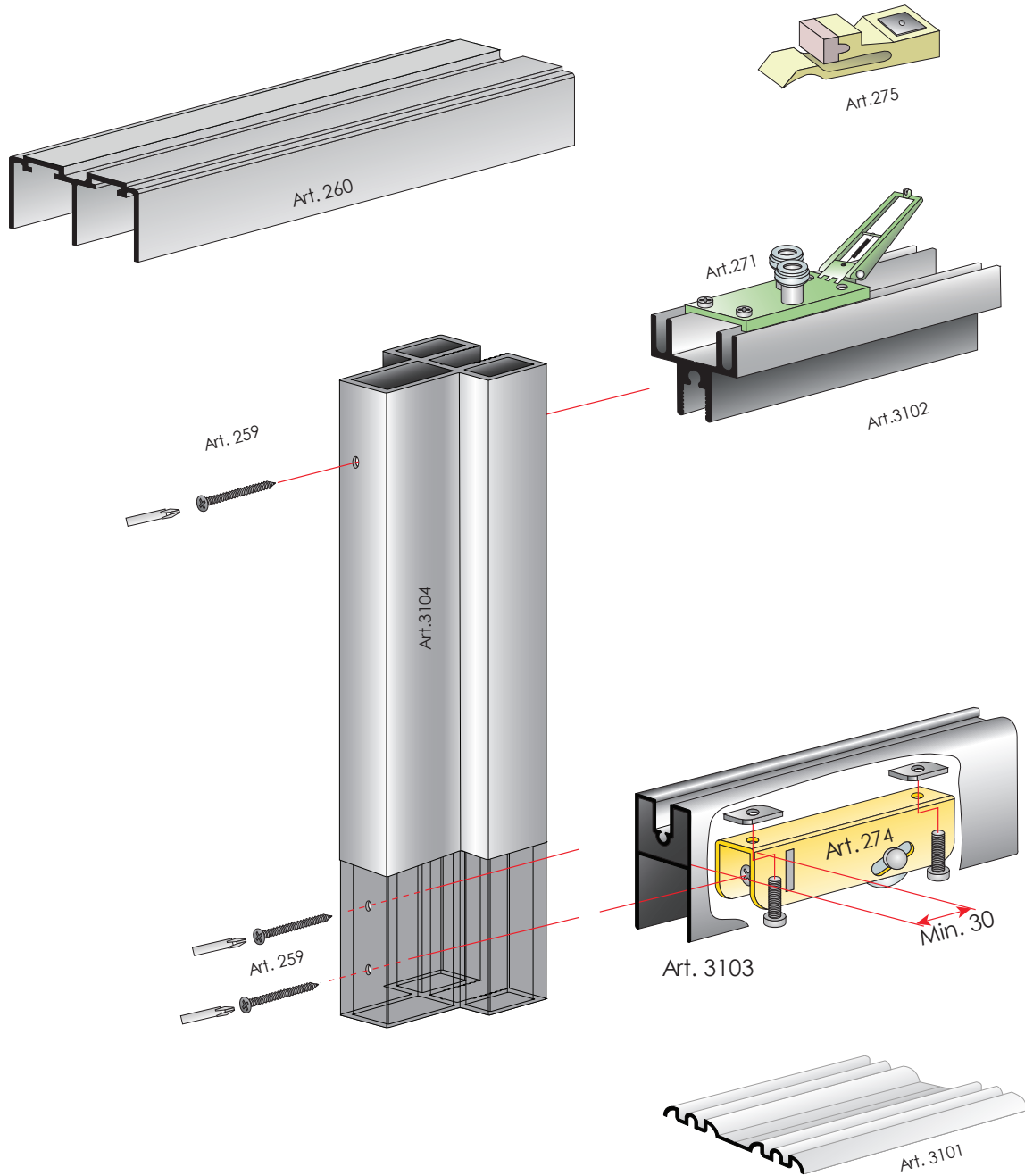




# Aluminum Multiple-Door Hardware Assembly

Series 3200

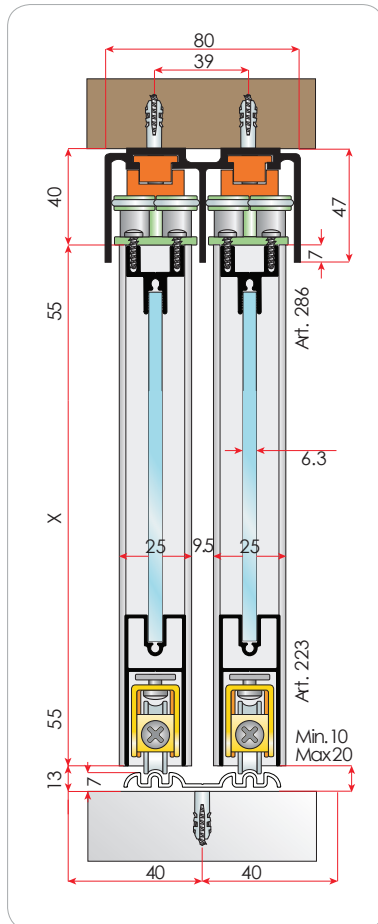
Lower Support Slide



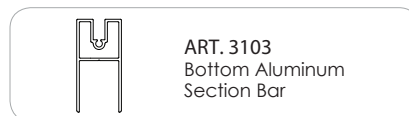
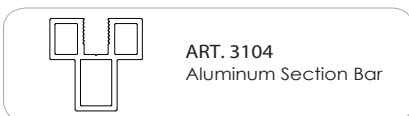
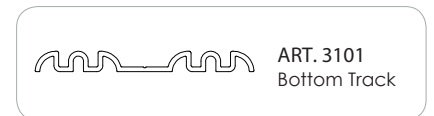
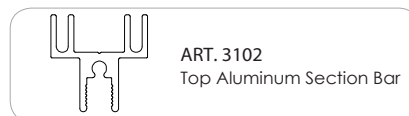
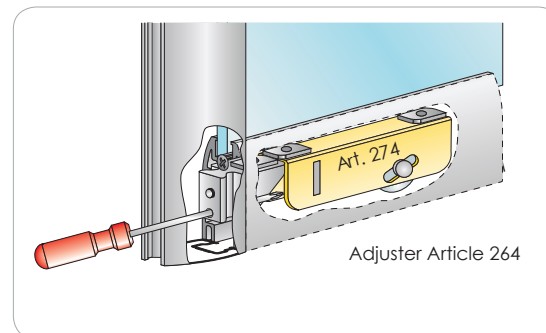
Multiple-Door Mounting Instructions

Series 3200

Ceiling Mounting Details



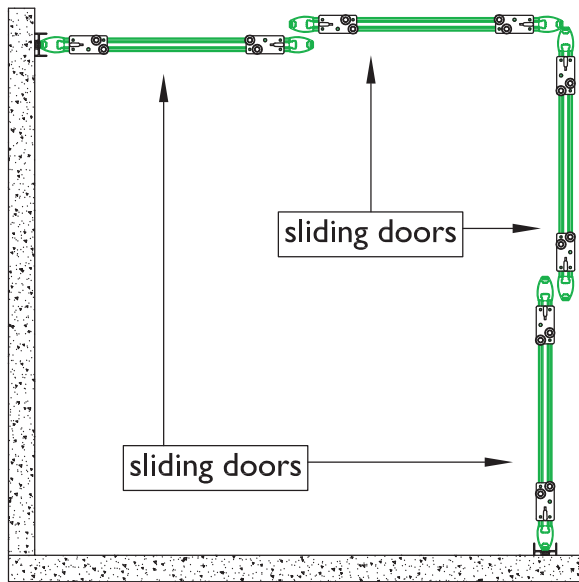
**ART. 255 - 274** Kg. 60  
**PER DOOR**



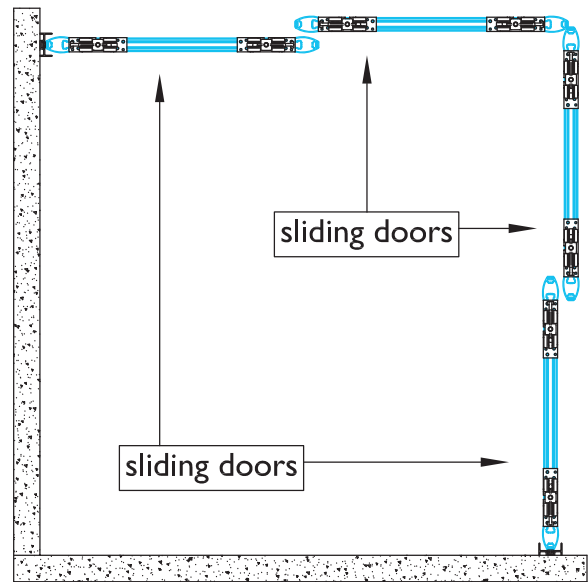


## Door Panel Configurations 1, 2

Corner with Four Sliding Doors

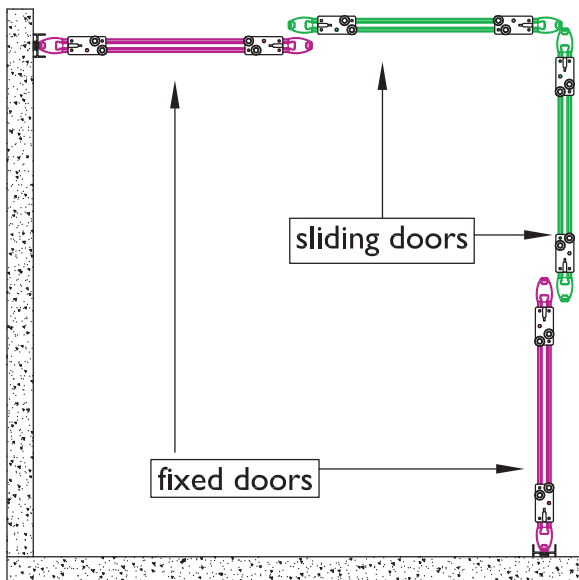


Bottom Sliding

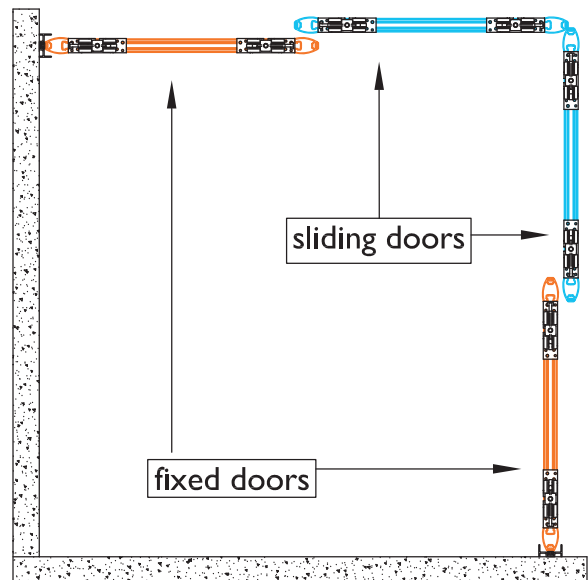


Top Sliding

Corner with Two Fixed Doors, Two Sliding Doors



Bottom Sliding



Top Sliding